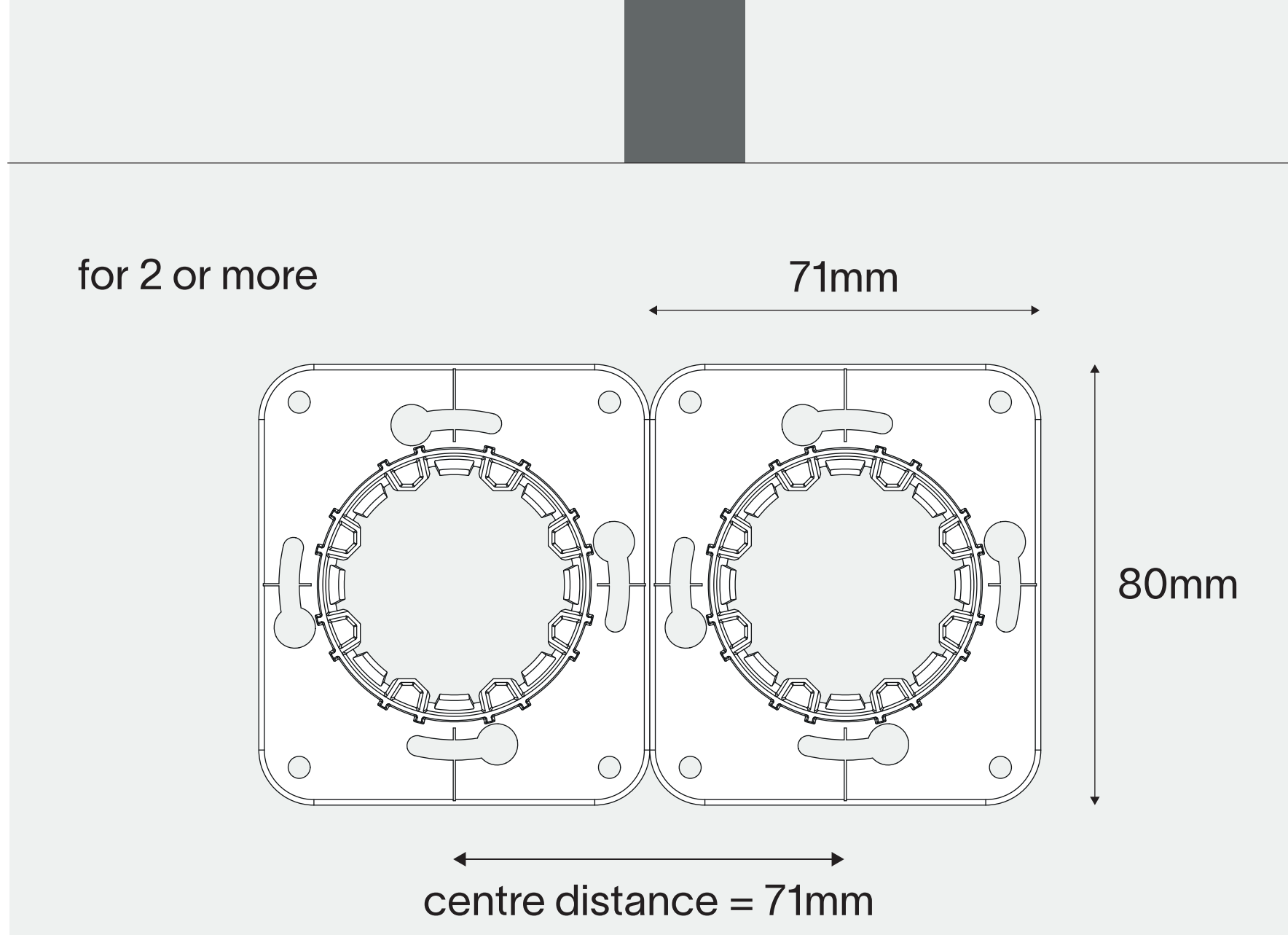
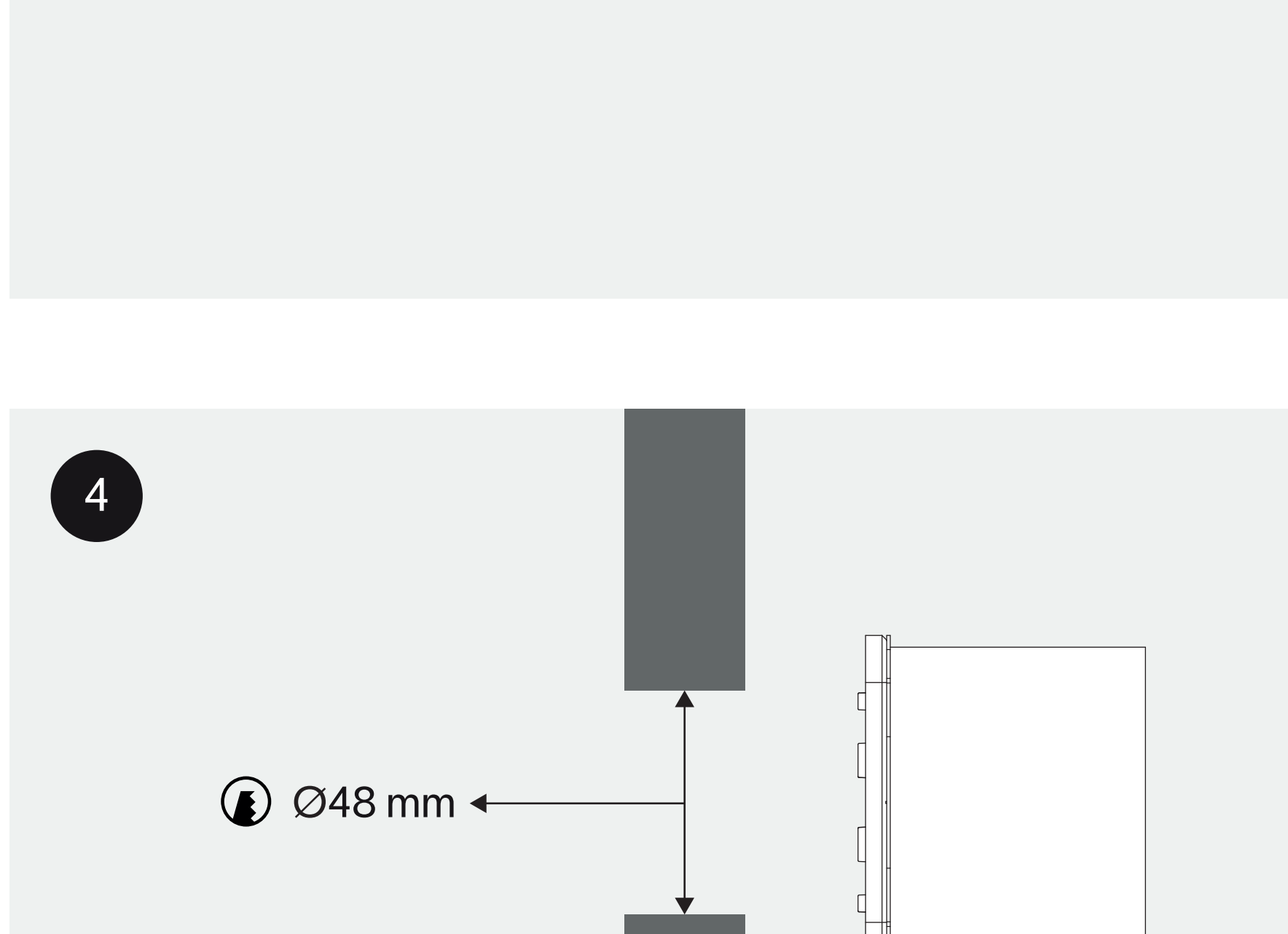
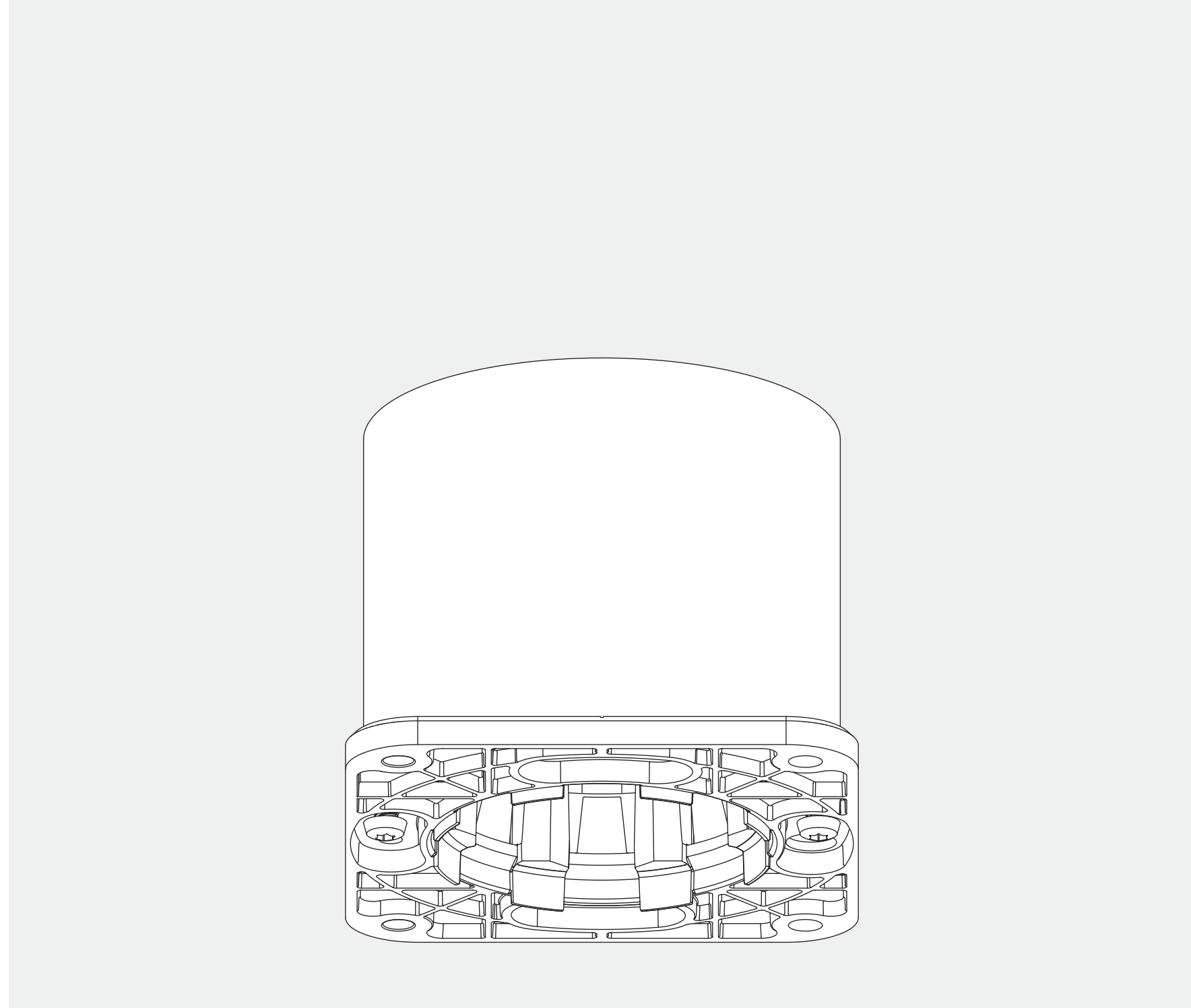
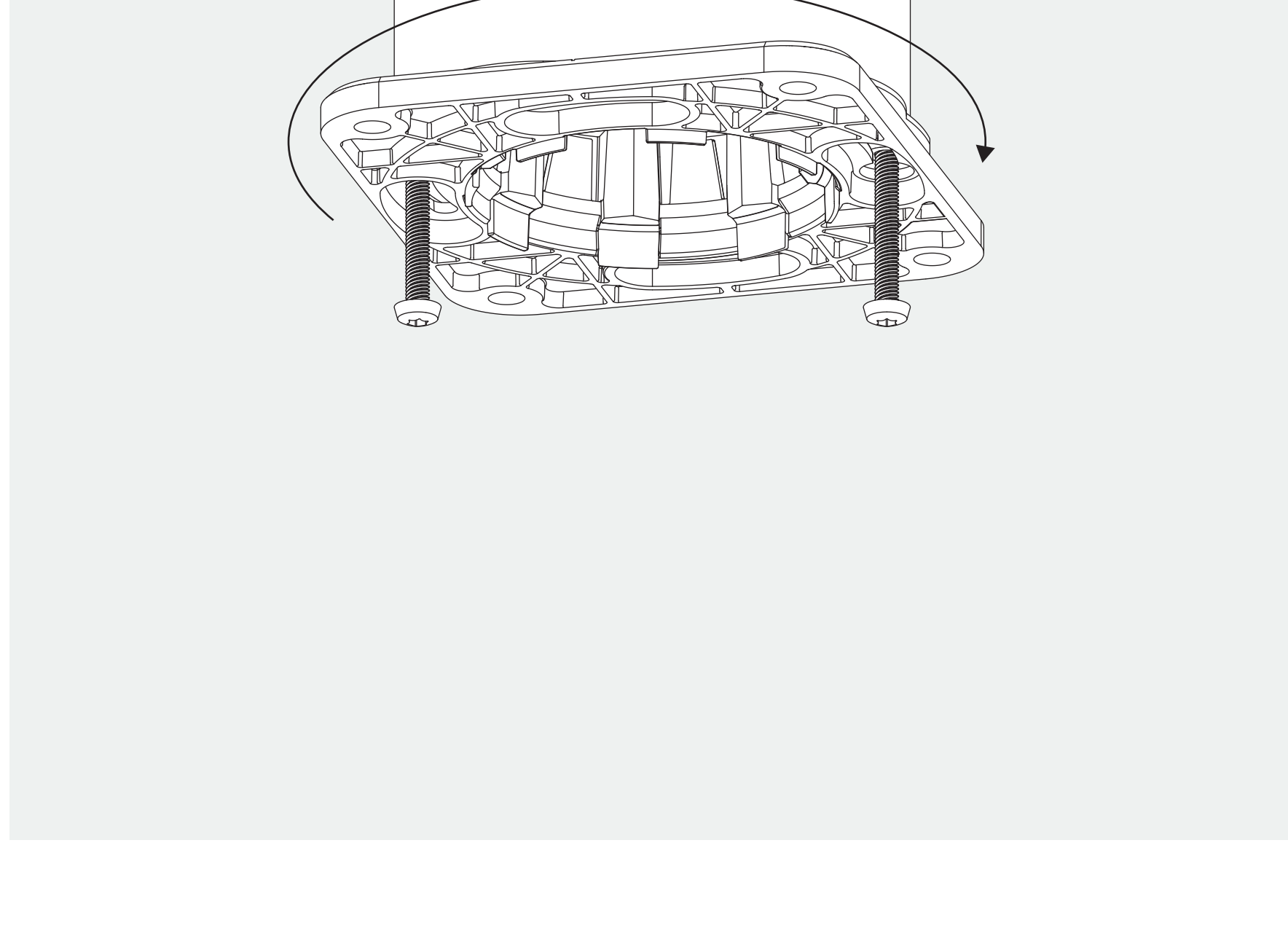
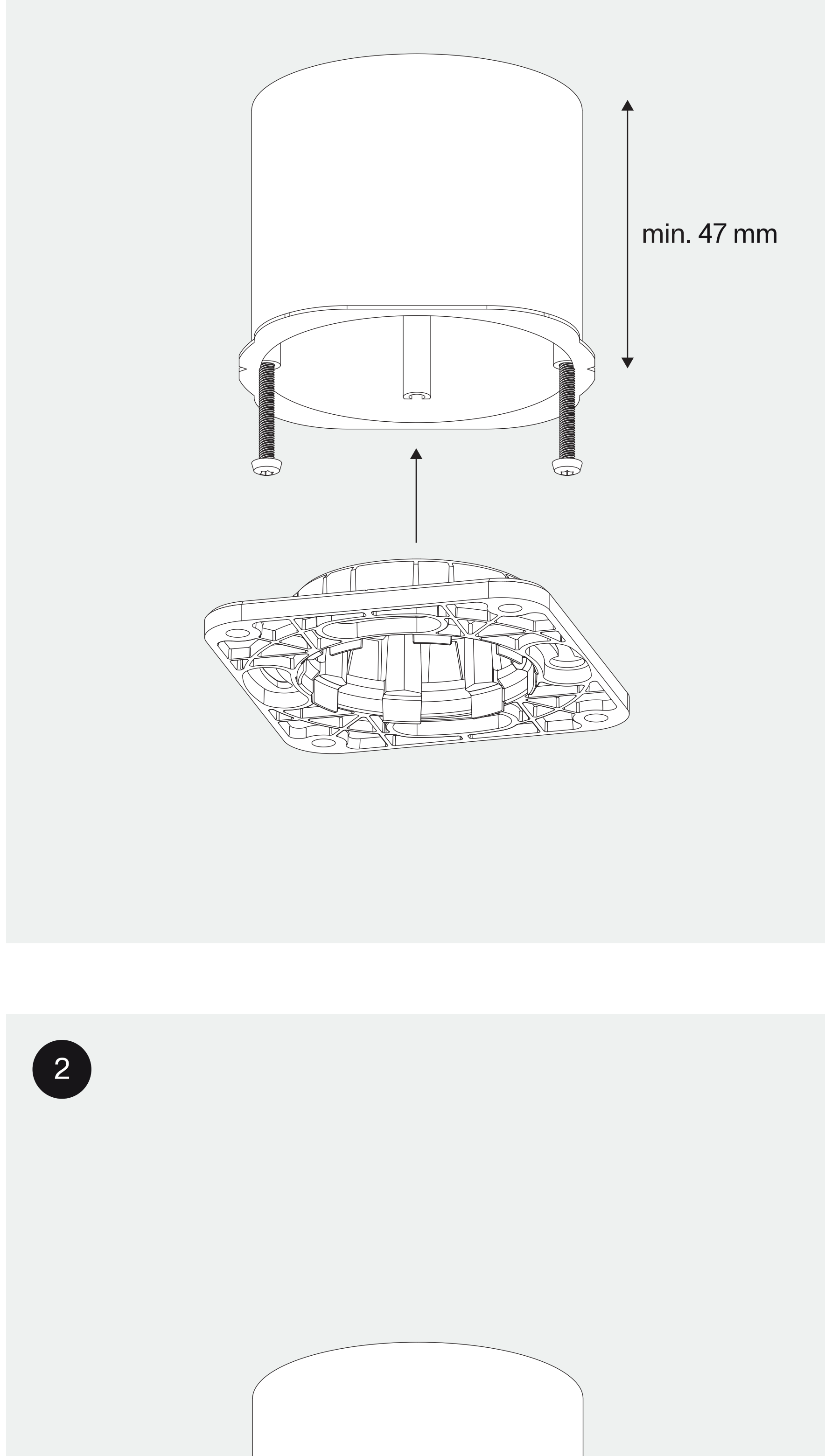
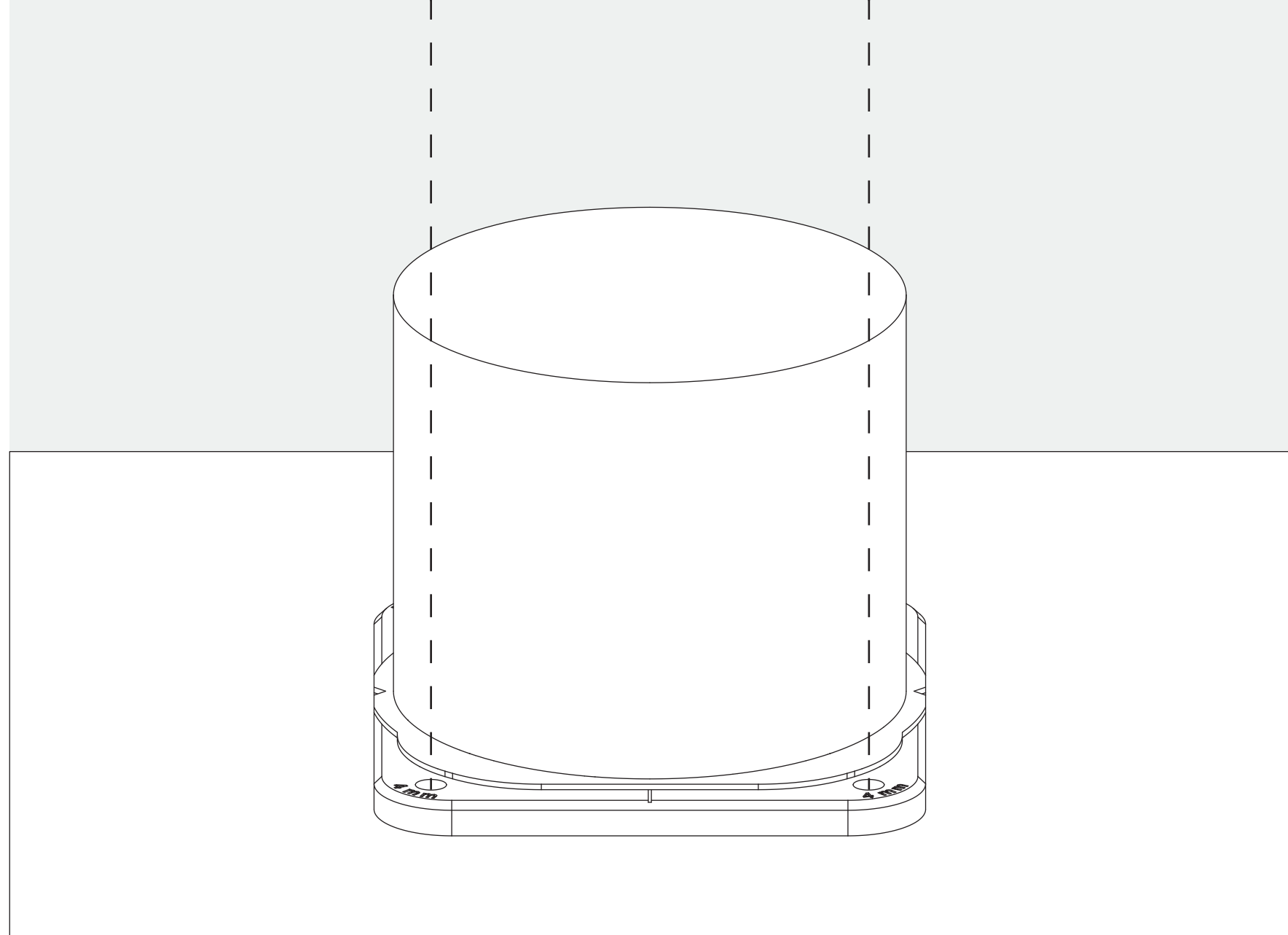
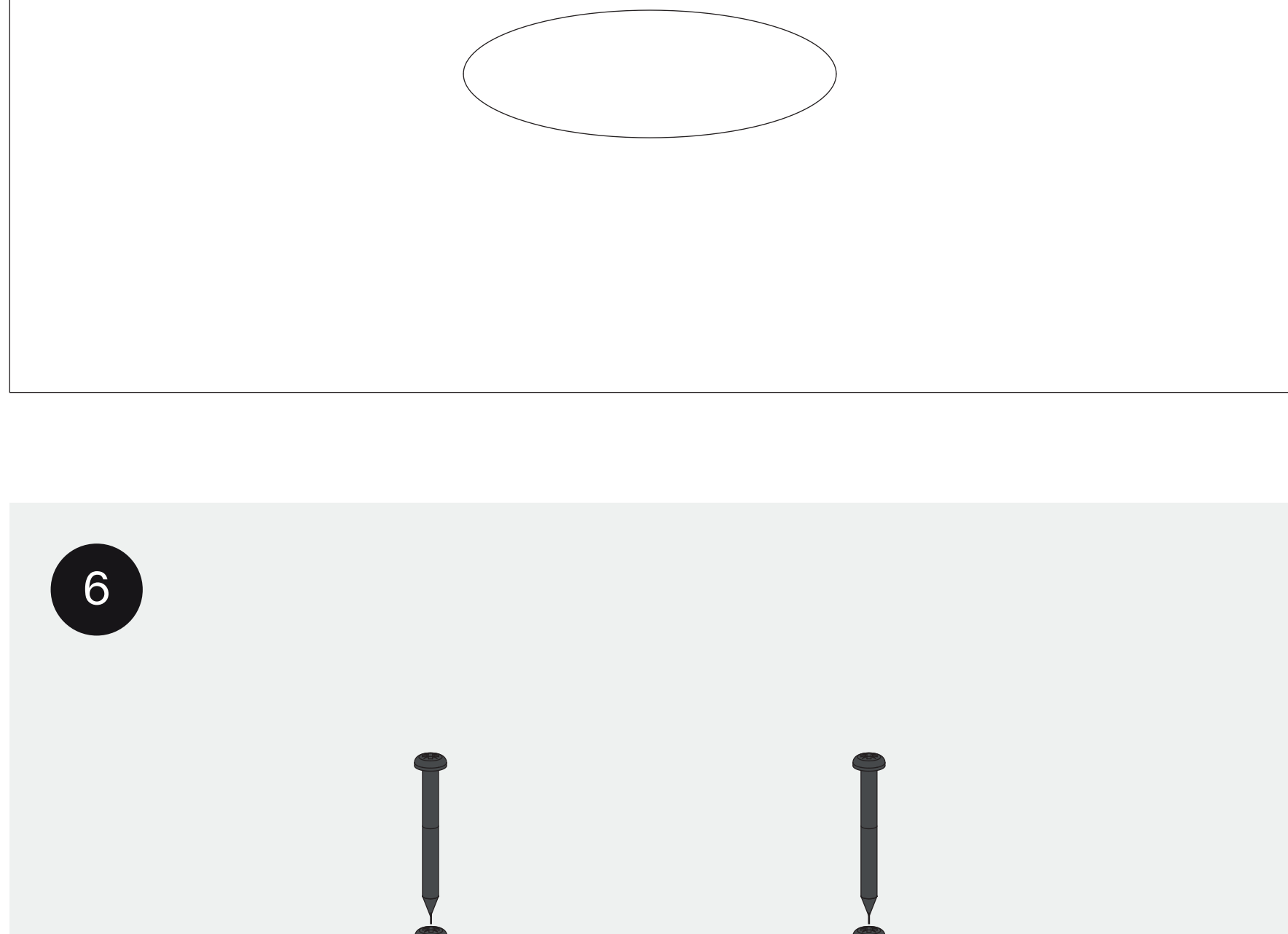
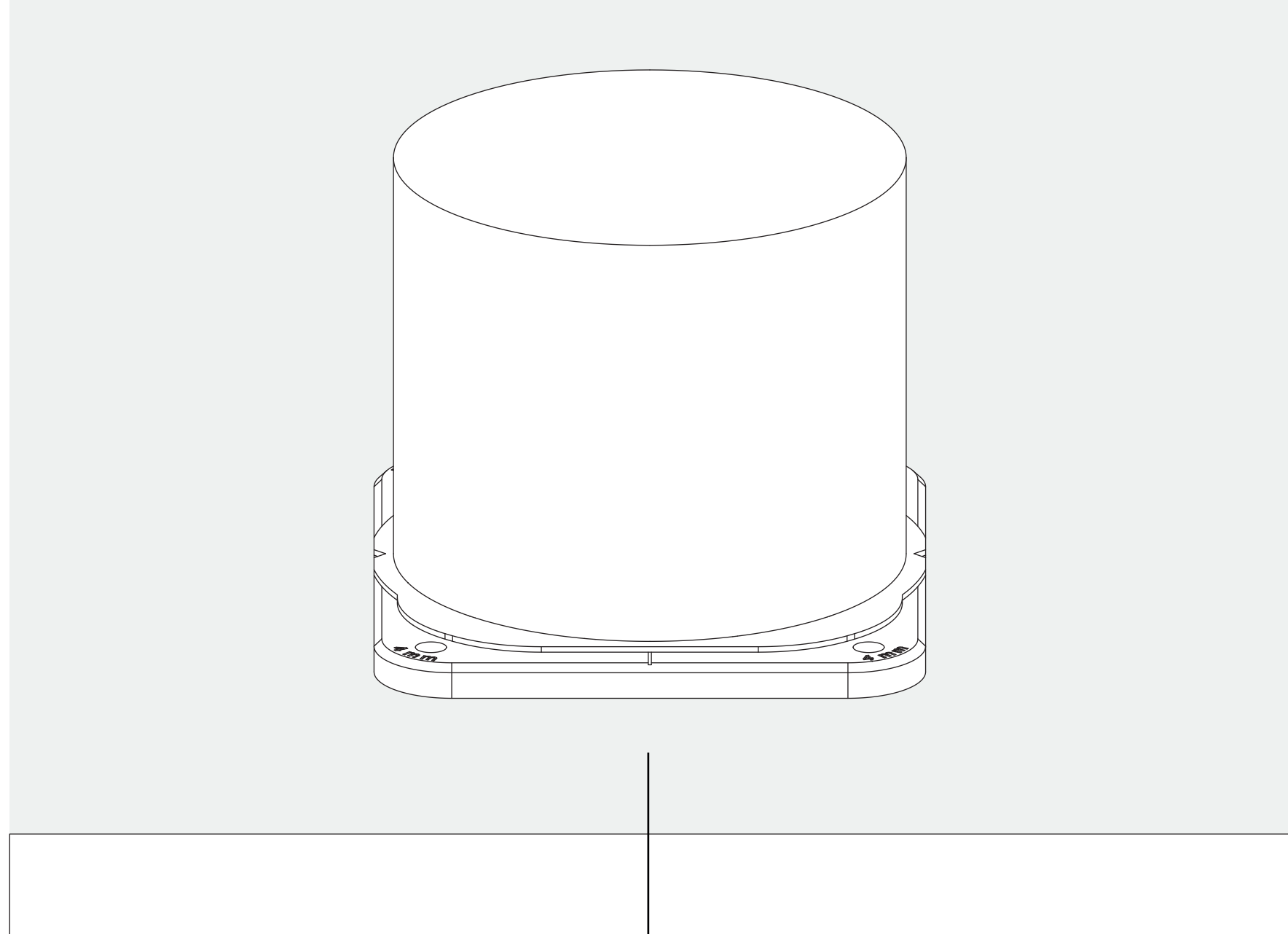
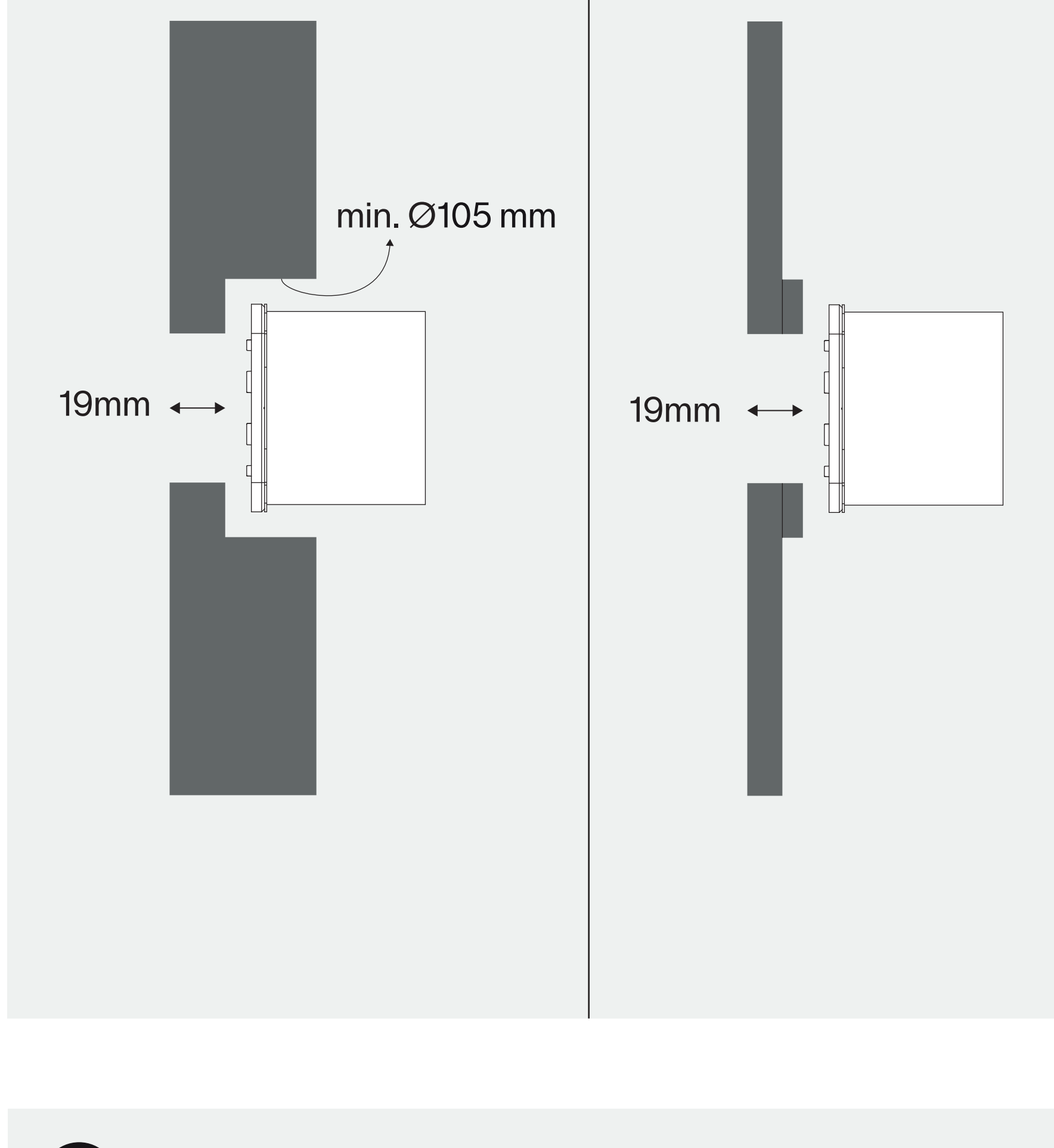


rond 2.0 backfit holder

installation instruction



if the finish material thickness is not 19mm, machine down or add (wooden) plate to achieve the correct total depth (19mm)



compatible with retrofit/easyfit modules

thank you for choosing rond